

FABRIJET

FT-1608 / FT-1908

1.6m / 1.9m DYE SUBLIMATION



FABRIJET
FT-1608

Print Speed	105 m ² /hr	75 m ² /hr	80 m ² /hr	58 m ² /hr
Print Resolution	720 x 360dpi 2 Pass	360 x 1,080dpi 3 Pass	540 x 720dpi 2 Pass	720 x 720dpi 4 Pass
Max Print Width	1,630 mm			
Max Media Width	1,650 mm			
Print Mode	Bi-Direction / Uni-Direction, Normal / Interleave			
Printhead	Panasonic printhead (8 heads)			
Color	4 Colors - Cyan, Magenta, Yellow, Black			
Ink	DGI original water based Dye Sublimation Ink			
Interface	TCP / IP , USB 3.0			
Environmental Range	Temperature : 22.5~27.5°C		Humidity: 40~70%	
	Environment condition may affect on final printing quality.			
Electricity Requirements	Single Phase 220V (50/60Hz, AC) Main 5A, 3.3Kw Heater 10A			
Optional equipment	Heavy load take-up system - up to 400m(58g) media loadable / 6 Liter bulk ink tank system			

※ All specifications are subject to change without notice.

FABRIJET
FT-1908

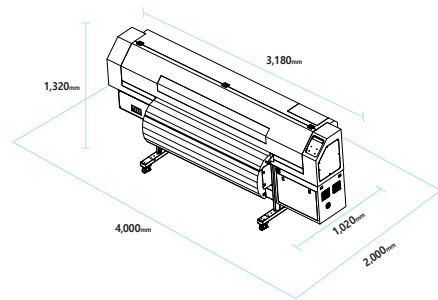
Print Speed	113 m ² /hr	81 m ² /hr	87 m ² /hr	63 m ² /hr
Print Resolution	720 x 360dpi 2 Pass	360 x 1,080dpi 3 Pass	540 x 720dpi 2 Pass	720 x 720dpi 4 Pass
Max Print Width	1,880 mm			
Max Media Width	1,900 mm			
Print Mode	Bi-Direction / Uni-Direction, Normal / Interleave			
Printhead	Panasonic printhead (8 heads)			
Color	4 Colors - Cyan, Magenta, Yellow, Black			
Ink	DGI original water based Dye Sublimation Ink			
Interface	TCP / IP , USB 3.0			
Environmental Range	Temperature : 22.5~27.5°C		Humidity: 40~70%	
	Environment condition may affect on final printing quality.			
Electricity Requirements	Single Phase 220V (50/60Hz, AC) Main 5A, 3.3Kw Heater 10A			
Optional equipment	Heavy load take-up system - up to 400m(58g) media loadable / 6 Liter bulk ink tank system			

※ All specifications are subject to change without notice.

Dimension for Installation

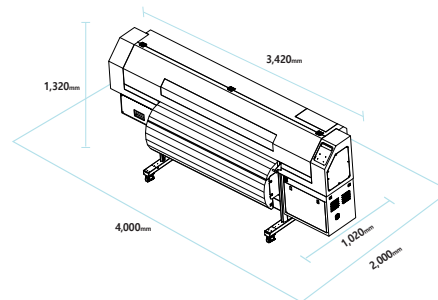
FABRIJET
FT-1608

	Uncrated				Crated			
	Length (mm)	Width (mm)	Height (mm)	Weight (kg)	Length (mm)	Width (mm)	Height (mm)	Weight (kg)
Printer	3,180	1,020	1,320	300	3,500	1,150	1,700	520



FABRIJET
FT-1908

	Uncrated				Crated			
	Length (mm)	Width (mm)	Height (mm)	Weight (kg)	Length (mm)	Width (mm)	Height (mm)	Weight (kg)
Printer	3,420	1,020	1,320	320	3,800	1,150	1,710	570



52, Cheongdam-Ro, Yangju-si, Gyeonggi-do, Korea, 11459
 TEL : +82-31-820-8900 A/S : +82-31-820-8880
 FAX : +82-31-820-8990 E-MAIL : sales@dgi-net.com
www.dgi-net.com
www.facebook.com/dgikorea



ISO 9001:14001 Certified