

FABRIJET

FD-1904

1.9m DIRECT TEXTILE PRINTER



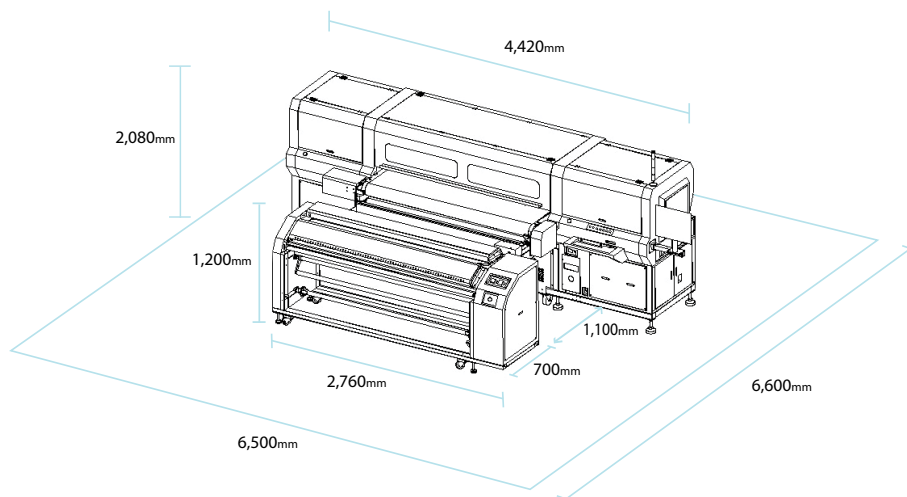
iFABRIJET
FD-1904

Print Speed	180m ² /hr	100m ² /hr	70m ² /hr	55m ² /hr
Print Resolution	600 x 300dpi 1Pass	600 x 600dpi 2Pass	600 x 900dpi 3Pass	600 x 1,200dpi 4Pass
Max Print Width	1,880mm			
Max Media Width	1,900mm			
Print Mode	Bi-Direction / Uni-Direction , Normal / Interleave			
Printhead	Kyocera printhead (4 heads)			
Color	8 Colors			
Ink	DGI original water based Reactive / Pigment ink			
Interface	TCP / IP			
Environmental Range	Temperature : 22.5~27.5°C Humidity : 40~70% Environment condition may affect on final printing quality.			
Electricity Requirements	Printer : 220~240V VAC Single Phase, 50/60 Hz / 10A Dryer : 220~240V VAC Single Phase, 50/60 Hz / 40A			

※ All specifications are subject to change without notice.

Dimension for Installation

	Uncrated				Crated			
	Length (mm)	Width (mm)	Height (mm)	Weight (kg)	Length (mm)	Width (mm)	Height (mm)	Weight (kg)
Printer	4,420	1,650	2,080	1,770	4,700	2,110	2,150	2,520
Dryer	2,760	700	1,200	220	3,150	1,100	1,450	330



52, Cheongdam-Ro, Yangju-si, Gyeonggi-do, Korea, 11459
 TEL : +82-31-820-8900 A/S : +82-31-820-8880
 FAX : +82-31-820-8990 E-MAIL : sales@dgi-net.com
www.dgi-net.com
www.facebook.com/dgikorea



ISO 9001:14001 Certified